

Computer Organization & Architecture

Index

- **About Course**
- **Organization & Architecture.**
- **Register Transfer & Microoperations.**
- **Basic Computer Organization & Design**
- **Programming the basic computer**
- **ALU**
- **Control Unit**
- **Memory**
- **Input/ Output organization**
- **Pipelining organization**
- **Multiprocessors**

Organization & Architecture

- **Architecture:** Computer Architecture refers to those attributes of a system visible to a programmer or, put another way, those attributes that have direct impact on the logical execution of a program.
- **Organization:** Computer Organization refers to the operational units and their interconnections that realize the architectural specifications.
- Examples of **architectural** attributes include the instruction set, the number of bits used to represent various data types (e.g., number, character), I/O mechanisms and techniques for addressing memory.
- **Organizational** attributes include those hardware details transparent to the programmer, such as control signals, interfaces between the computer and peripherals and memory technology used.
- For example, it is an **architectural** design issue whether a computer will have a multiply instruction. It is an **organizational** issue whether that instruction will be implemented by a special multiply unit or by a mechanism that makes repeated use of the add unit of the system. The organizational decision may be based on the anticipated frequency of use of the multiply instruction, the relative speed of the two approaches, and the cost and physical size of a special multiply unit.

REGISTER TRANSFER AND MICROOPERATIONS

- Register Transfer Language
- Register Transfer
- Bus and Memory Transfers
- Arithmetic Microoperations
- Logic Microoperations
- Shift Microoperations
- Arithmetic Logic Shift Unit

SIMPLE DIGITAL SYSTEMS

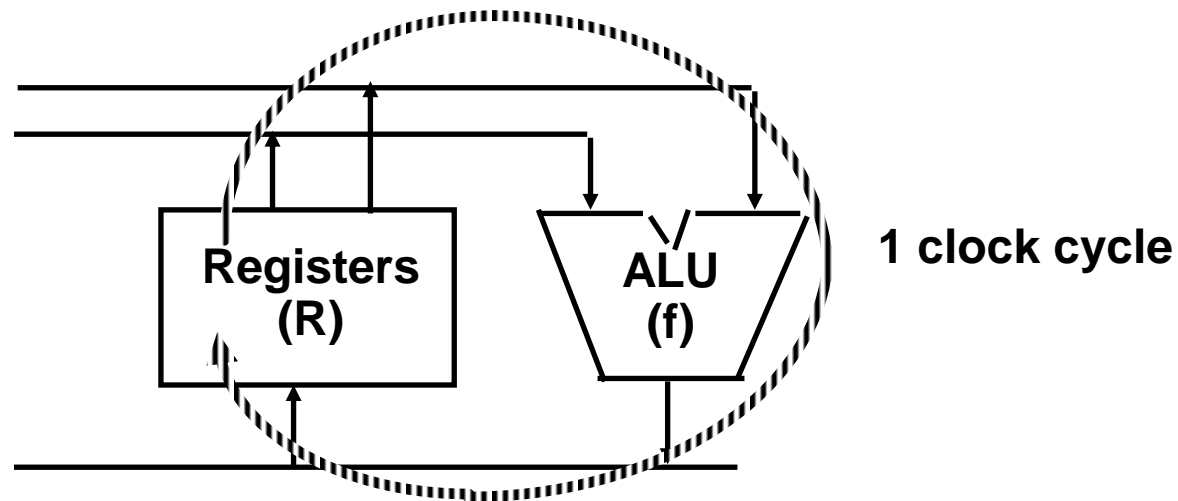
- **Combinational and sequential circuits (learned in previous semester) can be used to create simple digital systems.**
- **These are the low-level building blocks of a digital computer.**
- **Simple digital systems are frequently characterized in terms of**
 - the registers they contain, and
 - the operations that they perform.
- **Typically,**
 - What operations are performed on the data in the registers
 - What information is passed between registers

MICROOPERATIONS (1)

- **The operations on the data in registers are called microoperations.**
- **The functions built into registers are examples of microoperations**
 - **Shift**
 - **Load**
 - **Clear**
 - **Increment**
 - **...**

MICROOPERATION (2)

An elementary operation performed (during one clock pulse), on the information stored in one or more registers



$$R \leftarrow f(R, R)$$

f: shift, load, clear, increment, add, subtract, complement, and, or, xor, ...

ORGANIZATION OF A DIGITAL SYSTEM

- **Definition of the (internal) organization of a computer**
 - **Set of registers and their functions**
 - **Microoperations set**

**Set of allowable microoperations provided
by the organization of the computer**
 - **Control signals that initiate the sequence of microoperations (to perform the functions)**

REGISTER TRANSFER LEVEL

- **Viewing a computer, or any digital system, in this way is called the register transfer level**
- **This is because we're focusing on**
 - The system's registers
 - The data transformations in them, and
 - The data transfers between them.

REGISTER TRANSFER LANGUAGE

- Rather than specifying a digital system in words, a specific notation is used, *register transfer language*
- For any function of the computer, the register transfer language can be used to describe the (sequence of) microoperations
- Register transfer language
 - A symbolic language
 - A convenient tool for describing the internal organization of digital computers
 - Can also be used to facilitate the design process of digital systems.

DESIGNATION OF REGISTERS

- Registers are designated by capital letters, sometimes followed by numbers (e.g., A, R13, IR)
- Often the names indicate function:
 - MAR - memory address register
 - PC - program counter
 - IR - instruction register
- Registers and their contents can be viewed and represented in *various ways*
 - A register can be viewed as a single entity:

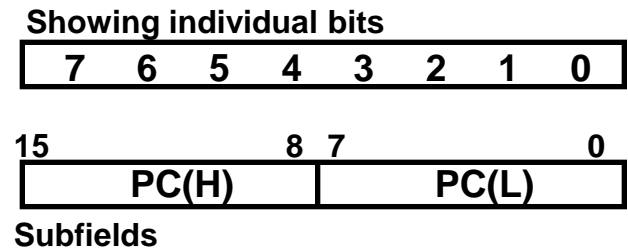
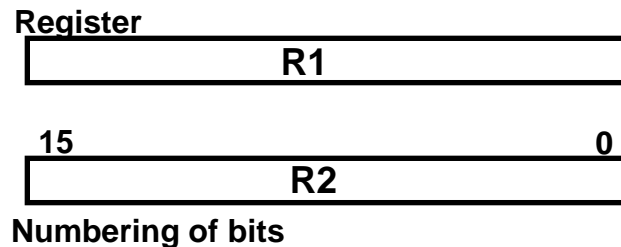


- Registers may also be represented showing the bits of data they contain

DESIGNATION OF REGISTERS

- Designation of a register
 - a register
 - portion of a register
 - a bit of a register

- Common ways of drawing the block diagram of a register



REGISTER TRANSFER

- Copying the contents of one register to another is a register transfer
- A register transfer is indicated as

R2 ← R1

- In this case the contents of register R2 are copied (loaded) into register R1
- A simultaneous transfer of all bits from the source R1 to the destination register R2, during one clock pulse
- Note that this is a non-destructive; i.e. the contents of R1 are not altered by copying (loading) them to R2

REGISTER TRANSFER

- A register transfer such as

R3 \leftarrow R5

Implies that the digital system has

- the data lines from the source register (R5) to the destination register (R3)
- Parallel load in the destination register (R3)
- Control lines to perform the action

CONTROL FUNCTIONS

- Often actions need to only occur if a certain condition is true
- This is similar to an “if” statement in a programming language
- In digital systems, this is often done via a *control signal*, called a *control function*
 - If the signal is 1, the action takes place
- This is represented as:

P: R2 \leftarrow R1

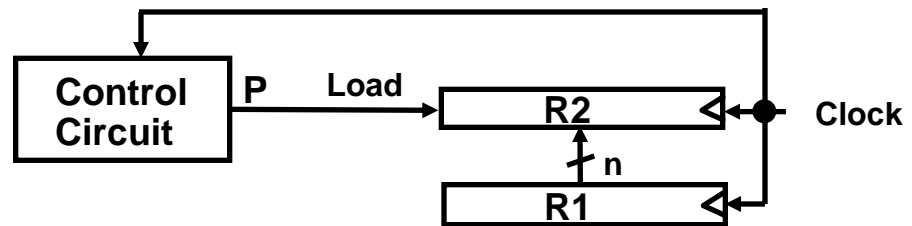
Which means “if P = 1, then load the contents of register R1 into register R2”, i.e., if (P = 1) then (R2 \leftarrow R1)

HARDWARE IMPLEMENTATION OF CONTROLLED TRANSFERS

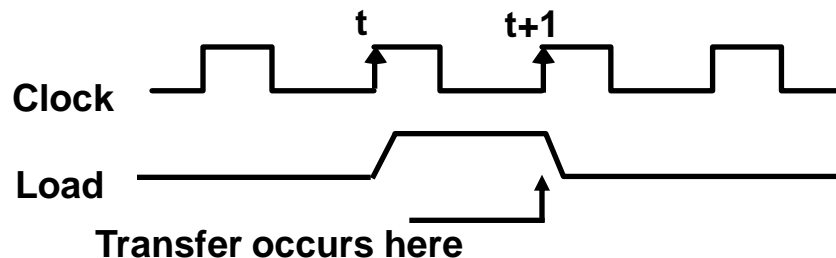
Implementation of controlled transfer

P: $R2 \leftarrow R1$

Block diagram



Timing diagram



- The same clock controls the circuits that generate the control function and the destination register (Reason: Page 51)
- Registers are assumed to use *positive-edge-triggered* flip-flops

SIMULTANEOUS OPERATIONS

- If two or more operations are to occur simultaneously, they are separated with commas

P: R3 \leftarrow R5, MAR \leftarrow IR

- Here, if the control function P = 1, load the contents of R5 into R3, and at the same time (clock), load the contents of register IR into register MAR

BASIC SYMBOLS FOR REGISTER TRANSFERS

Symbols	Description	Examples
Capital letters & numerals	Denotes a register	MAR, R2
Parentheses ()	Denotes a part of a register	R2(0-7), R2(L)
Arrow ←	Denotes transfer of information	R2 ← R1
Colon :	Denotes termination of control function	P:
Comma ,	Separates two micro-operations	A ← B, B ← A

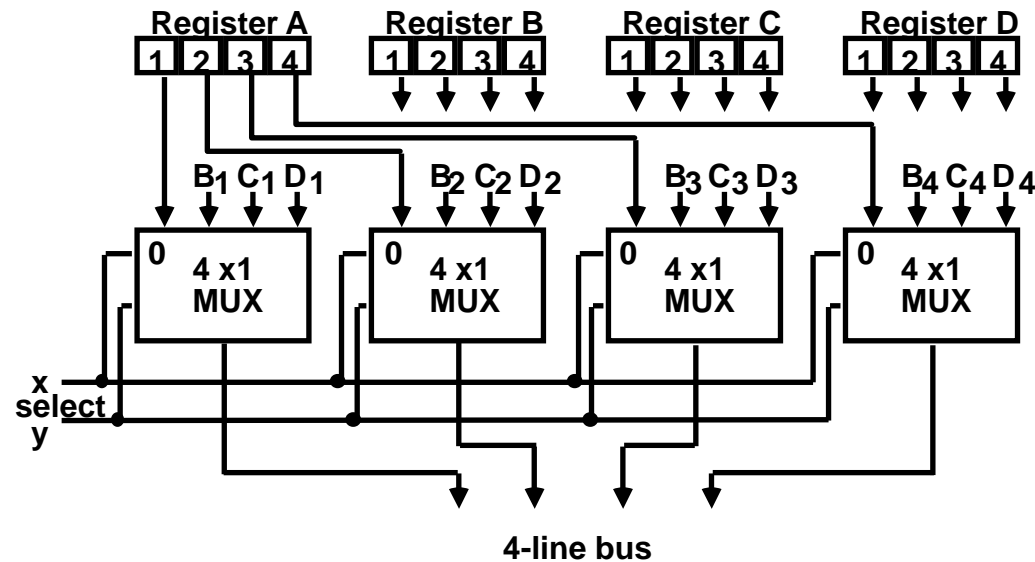
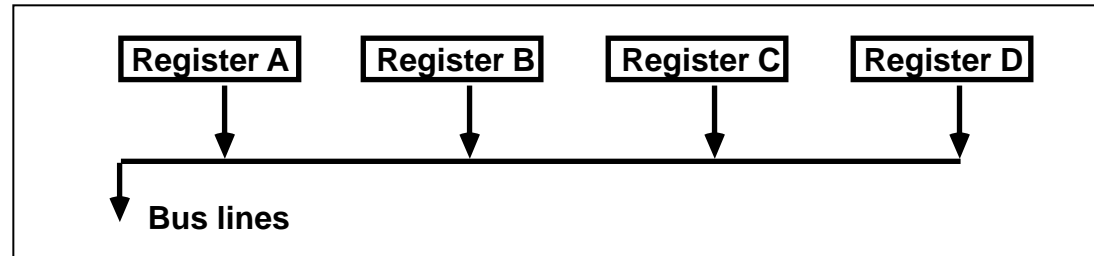
CONNECTING REGISTERS

- In a digital system with many registers, it is impractical to have data and control lines to directly allow each register to be loaded with the contents of every possible other registers
- To completely connect n registers $\rightarrow n(n-1)$ lines
- $O(n^2)$ cost
 - This is not a realistic approach to use in a large digital system
- Instead, take a different approach
- Have one centralized set of circuits for data transfer – the **bus**
- Have control circuits to select which register is the source, and which is the destination

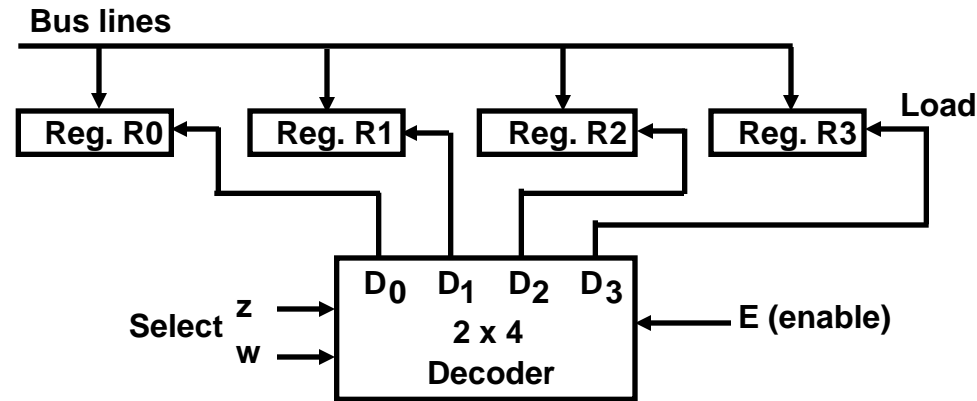
BUS AND BUS TRANSFER

Bus is a path (of a group of wires) over which information is transferred, from any of several sources to any of several destinations.

From a register to bus: $BUS \leftarrow R$

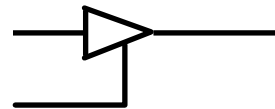


TRANSFER FROM BUS TO A DESTINATION REGISTER



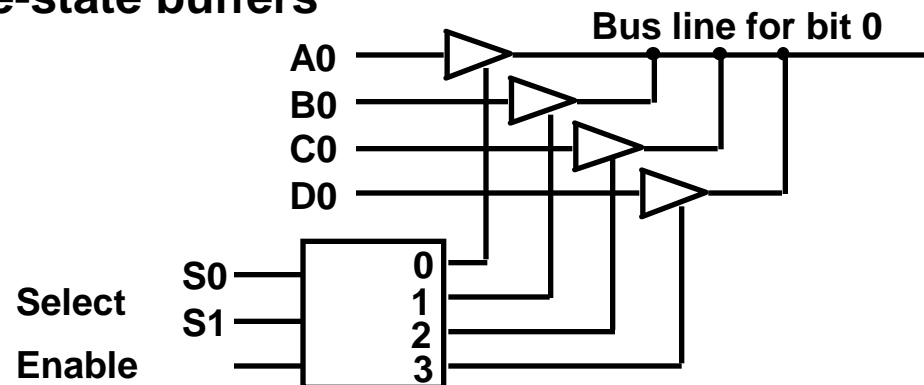
Three-State Bus Buffers

Normal input A
Control input C



Output $Y=A$ if $C=1$
High-impedance if $C=0$

Bus line with three-state buffers



BUS TRANSFER IN RTL

- Depending on whether the bus is to be mentioned explicitly or not, register transfer can be indicated as either

$R2 \leftarrow R1$

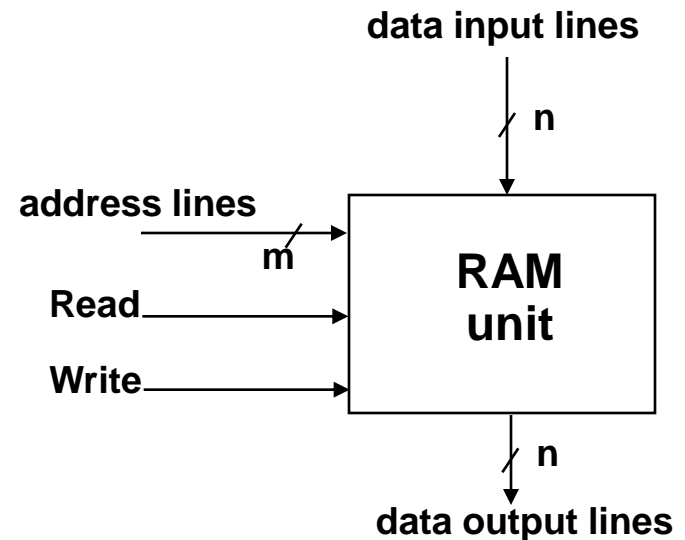
or

$BUS \leftarrow R1, R2 \leftarrow BUS$

- In the former case the bus is implicit, but in the latter, it is explicitly indicated

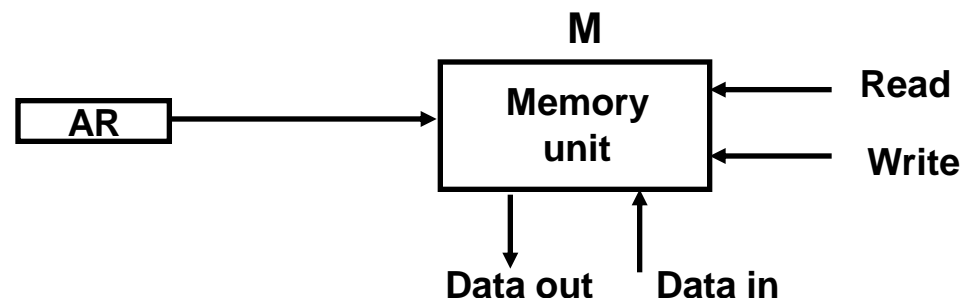
MEMORY (RAM)

- Memory (RAM) can be thought as a sequential circuits containing some number of registers
- These registers hold the *words* of memory
- Each of the r registers is indicated by an *address*
- These addresses range from 0 to $r-1$
- Each register (word) can hold n bits of data
- Assume the RAM contains $r = 2^m$ words. It needs the following
 - n data input lines
 - n data output lines
 - m address lines
 - A Read control line
 - A Write control line



MEMORY TRANSFER

- Collectively, the memory is viewed at the register level as a device, *M*.
- Since it contains multiple locations, we must specify which address in memory we will be using
- This is done by indexing memory references
- Memory is usually accessed in computer systems by putting the desired address in a special register, the *Memory Address Register (MAR, or AR)*
- When memory is accessed, the contents of the MAR get sent to the memory unit's address lines



MEMORY READ

- To read a value from a location in memory and load it into a register, the register transfer language notation looks like this:

$R1 \leftarrow M[MAR]$

- This causes the following to occur
 - The contents of the MAR get sent to the memory address lines
 - A Read (= 1) gets sent to the memory unit
 - The contents of the specified address are put on the memory's output data lines
 - These get sent over the bus to be loaded into register R1

MEMORY WRITE

- To write a value from a register to a location in memory looks like this in register transfer language:

$$M[MAR] \leftarrow R1$$

- This causes the following to occur
 - The contents of the MAR get sent to the memory address lines
 - A Write (= 1) gets sent to the memory unit
 - The values in register R1 get sent over the bus to the data input lines of the memory
 - The values get loaded into the specified address in the memory

SUMMARY OF R. TRANSFER MICROOPERATIONS

$A \leftarrow B$

Transfer content of reg. B into reg. A

$AR \leftarrow DR(AD)$

Transfer content of AD portion of reg. DR into reg. AR

$A \leftarrow \text{constant}$

Transfer a binary constant into reg. A

$ABUS \leftarrow R1,$

Transfer content of R1 into bus A and, at the same time,

$R2 \leftarrow ABUS$

transfer content of bus A into R2

AR

Address register

DR

Data register

$M[R]$

Memory word specified by reg. R

M

Equivalent to $M[AR]$

$DR \leftarrow M$

Memory *read* operation: transfers content of memory word specified by AR into DR

$M \leftarrow DR$

Memory *write* operation: transfers content of DR into memory word specified by AR

MICROOPERATIONS

- **Computer system microoperations are of four types:**
 - **Register transfer microoperations**
 - **Arithmetic microoperations**
 - **Logic microoperations**
 - **Shift microoperations**

ARITHMETIC MICROOPERATIONS

- **The basic arithmetic microoperations are**
 - Addition
 - Subtraction
 - Increment
 - Decrement

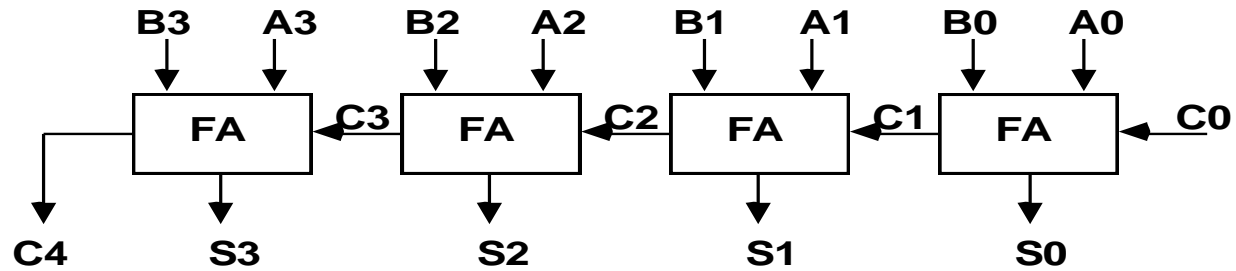
- **The additional arithmetic microoperations are**
 - Add with carry
 - Subtract with borrow
 - Transfer/Load
 - etc. ...

Summary of Typical Arithmetic Micro-Operations

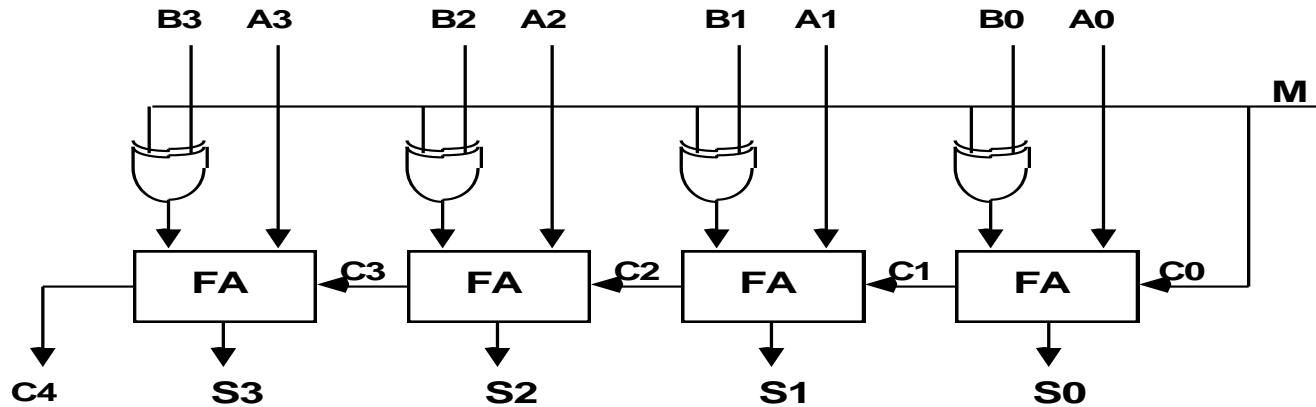
$R3 \leftarrow R1 + R2$	Contents of R1 plus R2 transferred to R3
$R3 \leftarrow R1 - R2$	Contents of R1 minus R2 transferred to R3
$R2 \leftarrow R2'$	Complement the contents of R2
$R2 \leftarrow R2' + 1$	2's complement the contents of R2 (negate)
$R3 \leftarrow R1 + R2' + 1$	subtraction
$R1 \leftarrow R1 + 1$	Increment
$R1 \leftarrow R1 - 1$	Decrement

BINARY ADDER / SUBTRACTOR / INCREMENTER

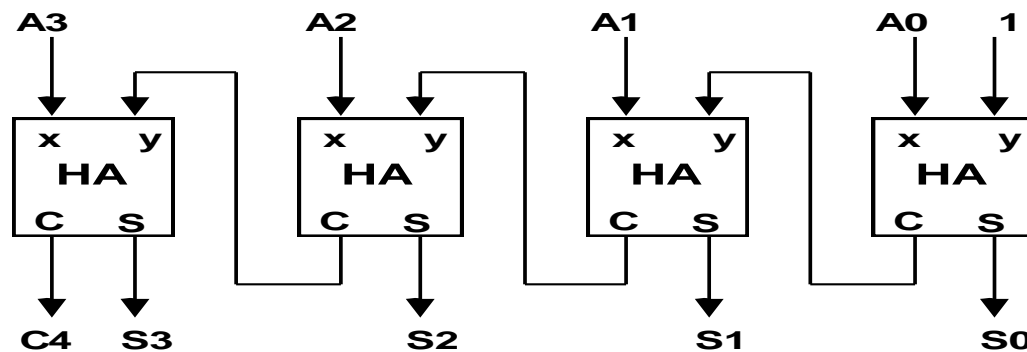
Binary Adder



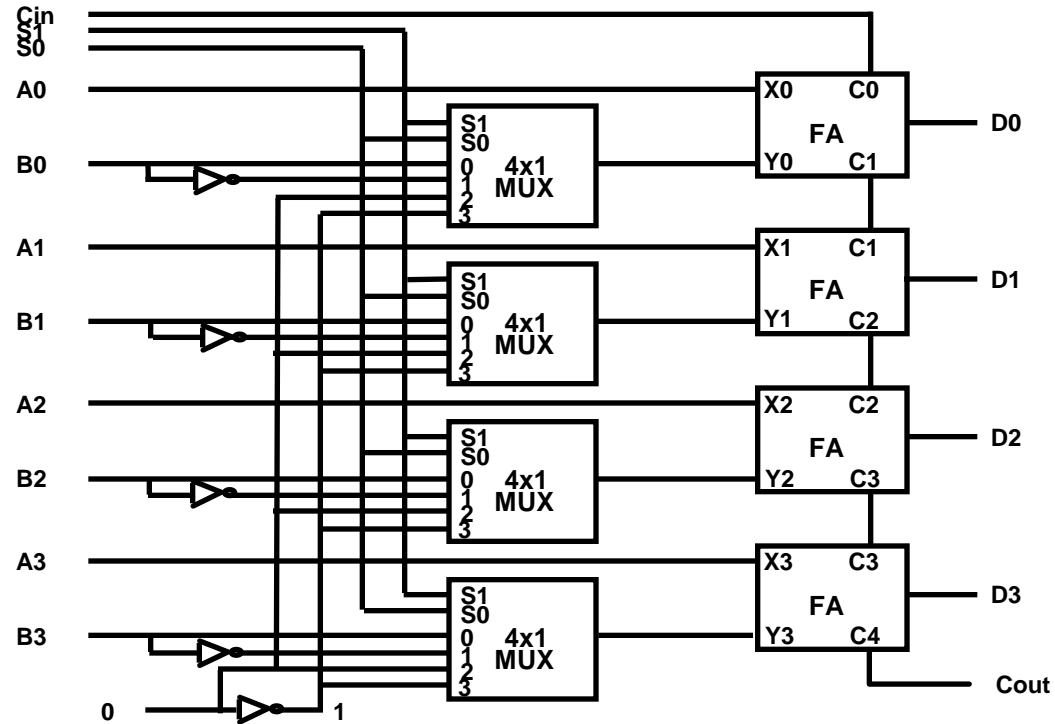
Binary Adder-Subtractor



Binary Incrementer



ARITHMETIC CIRCUIT



S1	S0	Cin	Y	Output	Microoperation
0	0	0	B	$D = A + B$	Add
0	0	1	B	$D = A + B + 1$	Add with carry
0	1	0	B'	$D = A + B'$	Subtract with borrow
0	1	1	B'	$D = A + B' + 1$	Subtract
1	0	0	0	$D = A$	Transfer A
1	0	1	0	$D = A + 1$	Increment A
1	1	0	1	$D = A - 1$	Decrement A
1	1	1	1	$D = A$	Transfer A

LOGIC MICROOPERATIONS

- **Specify binary operations on the strings of bits in registers**
 - Logic microoperations are bit-wise operations, i.e., they work on the individual bits of data
 - useful for bit manipulations on binary data
 - useful for making logical decisions based on the bit value
- **There are, in principle, 16 different logic functions that can be defined over two binary input variables**

A	B	F ₀	F ₁	F ₂ ...	F ₁₃	F ₁₄	F ₁₅
0	0	0	0	0 ...	1	1	1
0	1	0	0	0 ...	1	1	1
1	0	0	0	1 ...	0	1	1
1	1	0	1	0 ...	1	0	1

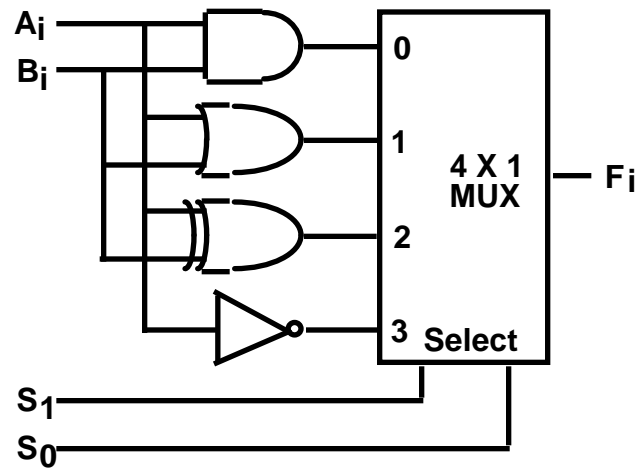
- **However, most systems only implement four of these**
 - AND (\wedge), OR (\vee), XOR (\oplus), Complement/NOT
- **The others can be created from combination of these**

LIST OF LOGIC MICROOPERATIONS

- List of Logic Microoperations
 - 16 different logic operations with 2 binary vars.
 - n binary vars $\rightarrow 2^{2^n}$ functions
- Truth tables for 16 functions of 2 variables and the corresponding 16 logic micro-operations

x	0 0 1 1	<i>Boolean Function</i>	<i>Micro-Operations</i>	<i>Name</i>
y	0 1 0 1			
	0 0 0 0	$F_0 = 0$	$F \leftarrow 0$	Clear
	0 0 0 1	$F_1 = xy$	$F \leftarrow A \wedge B$	AND
	0 0 1 0	$F_2 = xy'$	$F \leftarrow A \wedge B'$	
	0 0 1 1	$F_3 = x$	$F \leftarrow A$	Transfer A
	0 1 0 0	$F_4 = x'y$	$F \leftarrow A' \wedge B$	
	0 1 0 1	$F_5 = y$	$F \leftarrow B$	Transfer B
	0 1 1 0	$F_6 = x \oplus y$	$F \leftarrow A \oplus B$	Exclusive-OR
	0 1 1 1	$F_7 = x + y$	$F \leftarrow A \vee B$	OR
	1 0 0 0	$F_8 = (x + y)'$	$F \leftarrow (A \vee B)'$	NOR
	1 0 0 1	$F_9 = (x \oplus y)'$	$F \leftarrow (A \oplus B)'$	Exclusive-NOR
	1 0 1 0	$F_{10} = y'$	$F \leftarrow B'$	Complement B
	1 0 1 1	$F_{11} = x + y'$	$F \leftarrow A \vee B$	
	1 1 0 0	$F_{12} = x'$	$F \leftarrow A'$	Complement A
	1 1 0 1	$F_{13} = x' + y$	$F \leftarrow A' \vee B$	
	1 1 1 0	$F_{14} = (xy)'$	$F \leftarrow (A \wedge B)'$	NAND
	1 1 1 1	$F_{15} = 1$	$F \leftarrow \text{all 1's}$	Set to all 1's

HARDWARE IMPLEMENTATION OF LOGIC MICROOPERATIONS



Function table

S_1	S_0	Output	μ -operation
0	0	$F = A \wedge B$	AND
0	1	$F = A \vee B$	OR
1	0	$F = A \oplus B$	XOR
1	1	$F = A'$	Complement

APPLICATIONS OF LOGIC MICROOPERATIONS

- Logic microoperations can be used to manipulate individual bits or a portions of a word in a register
- Consider the data in a register A. In another register, B, is bit data that will be used to modify the contents of A
 - Selective-set $A \leftarrow A + B$
 - Selective-complement $A \leftarrow A \oplus B$
 - Selective-clear $A \leftarrow A \cdot B'$
 - Mask (Delete) $A \leftarrow A \cdot B$
 - Insert $A \leftarrow (A \cdot B) + C$
 - Compare $A \leftarrow A \oplus B$
 - ...

SELECTIVE SET

- In a selective set operation, the bit pattern in B is used to set certain bits in A

$$\begin{array}{r} 1100 \quad A_t \\ 1010 \quad B \\ \hline 1110 \quad A_{t+1} \quad (A \leftarrow A + B) \end{array}$$

- If a bit in B is set to 1, that same position in A gets set to 1, otherwise that bit in A keeps its previous value

SELECTIVE COMPLEMENT

- In a selective complement operation, the bit pattern in B is used to *complement* certain bits in A

$$\begin{array}{r} 1100 \quad A_t \\ 1010 \quad B \\ \hline 0110 \quad A_{t+1} \end{array} \quad (A \leftarrow A \oplus B)$$

- If a bit in B is set to 1, that same position in A gets complemented from its original value, otherwise it is unchanged

SELECTIVE CLEAR

- In a selective clear operation, the bit pattern in B is used to *clear* certain bits in A

$$\begin{array}{rcl} 1100 & A_t & \\ 1010 & B & \\ \hline 0100 & A_{t+1} & (A \leftarrow A \cdot B') \end{array}$$

- If a bit in B is set to 1, that same position in A gets set to 0, otherwise it is unchanged

MASK OPERATION

- In a mask operation, the bit pattern in B is used to *clear* certain bits in A

$$\begin{array}{r} 1100 \quad A_t \\ 1010 \quad B \\ \hline 1000 \quad A_{t+1} \quad (A \leftarrow A \cdot B) \end{array}$$

- If a bit in B is set to 0, that same position in A gets set to 0, otherwise it is unchanged

CLEAR OPERATION

- In a clear operation, if the bits in the same position in A and B are the same, they are cleared in A, otherwise they are set in A

$$\begin{array}{r} 1100 \quad A_t \\ 1010 \quad B \\ \hline 0110 \quad A_{t+1} \end{array} \quad (A \leftarrow A \oplus B)$$

INSERT OPERATION

- An insert operation is used to introduce a specific bit pattern into A register, leaving the other bit positions unchanged
- This is done as
 - A mask operation to clear the desired bit positions, followed by
 - An OR operation to introduce the new bits into the desired positions
 - Example
 - » Suppose you wanted to introduce 1010 into the low order four bits of A:

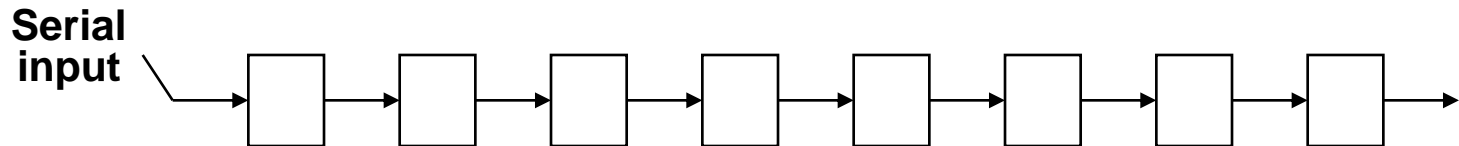
1101 1000 1011 0001	A (Original)
1101 1000 1011 1010	A (Desired)

» 1101 1000 1011 0001	A (Original)
1111 1111 1111 0000	Mask
<hr/>	
1101 1000 1011 0000	A (Intermediate)
0000 0000 0000 1010	Added bits
<hr/>	
1101 1000 1011 1010	A (Desired)

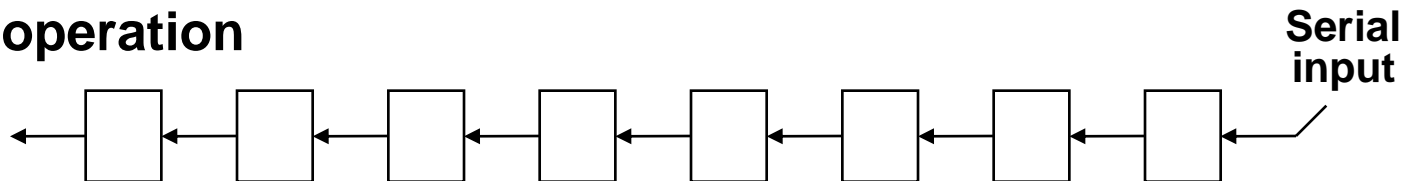
SHIFT MICROOPERATIONS

- There are three types of shifts
 - *Logical shift*
 - *Circular shift*
 - *Arithmetic shift*
- What differentiates them is the information that goes into the serial input

- A right shift operation

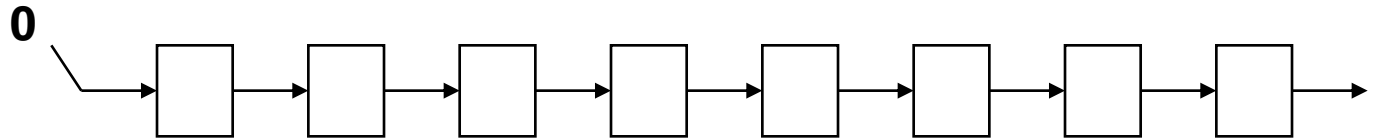


- A left shift operation

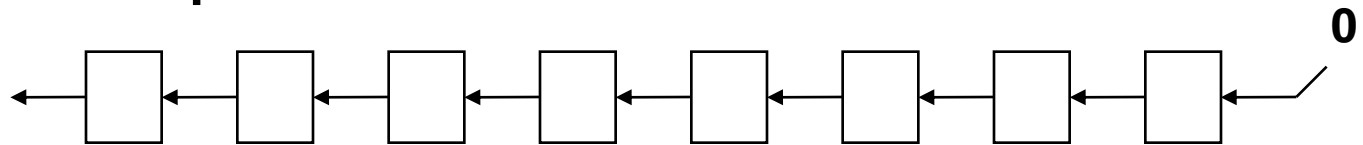


LOGICAL SHIFT

- In a logical shift the serial input to the shift is a 0.
- A right logical shift operation:



- A left logical shift operation:

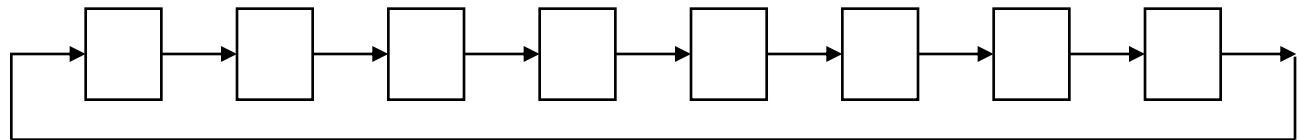


- In a Register Transfer Language, the following notation is used
 - *shl* for a logical shift left
 - *shr* for a logical shift right
 - Examples:
 - » $R2 \leftarrow shr R2$
 - » $R3 \leftarrow shl R3$

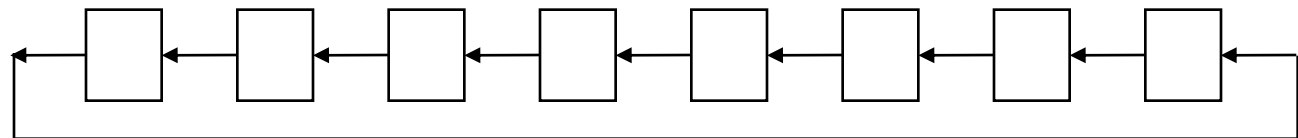
CIRCULAR SHIFT

- In a circular shift the serial input is the bit that is shifted out of the other end of the register.

- A right circular shift operation:



- A left circular shift operation:

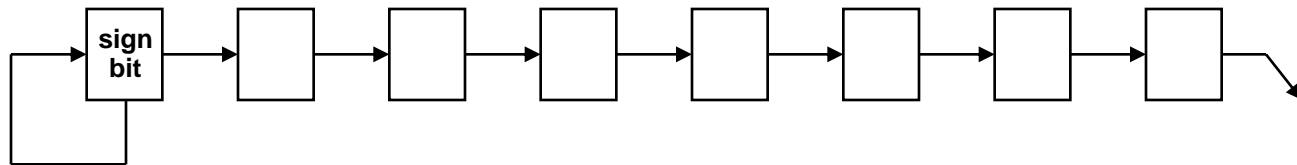


- In a RTL, the following notation is used

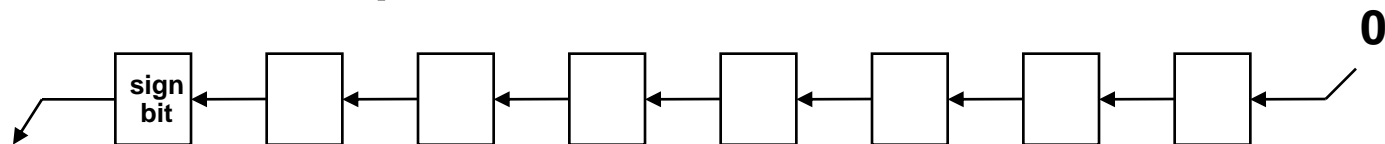
- *cil* for a circular shift left
- *cir* for a circular shift right
- Examples:
 - » $R2 \leftarrow cir R2$
 - » $R3 \leftarrow cil R3$

ARITHMETIC SHIFT

- An arithmetic shift is meant for signed binary numbers (integer)
- An arithmetic left shift **multiplies** a signed number **by two**
- An arithmetic right shift **divides** a signed number **by two**
- The main distinction of an arithmetic shift is that it must keep the sign of the number the same as it performs the multiplication or division
- A right arithmetic shift operation:

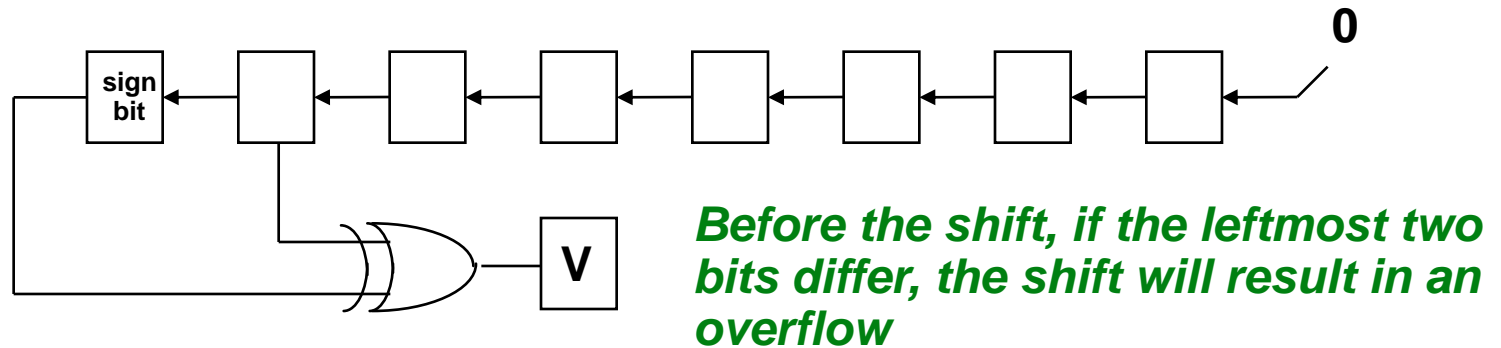


- A left arithmetic shift operation:



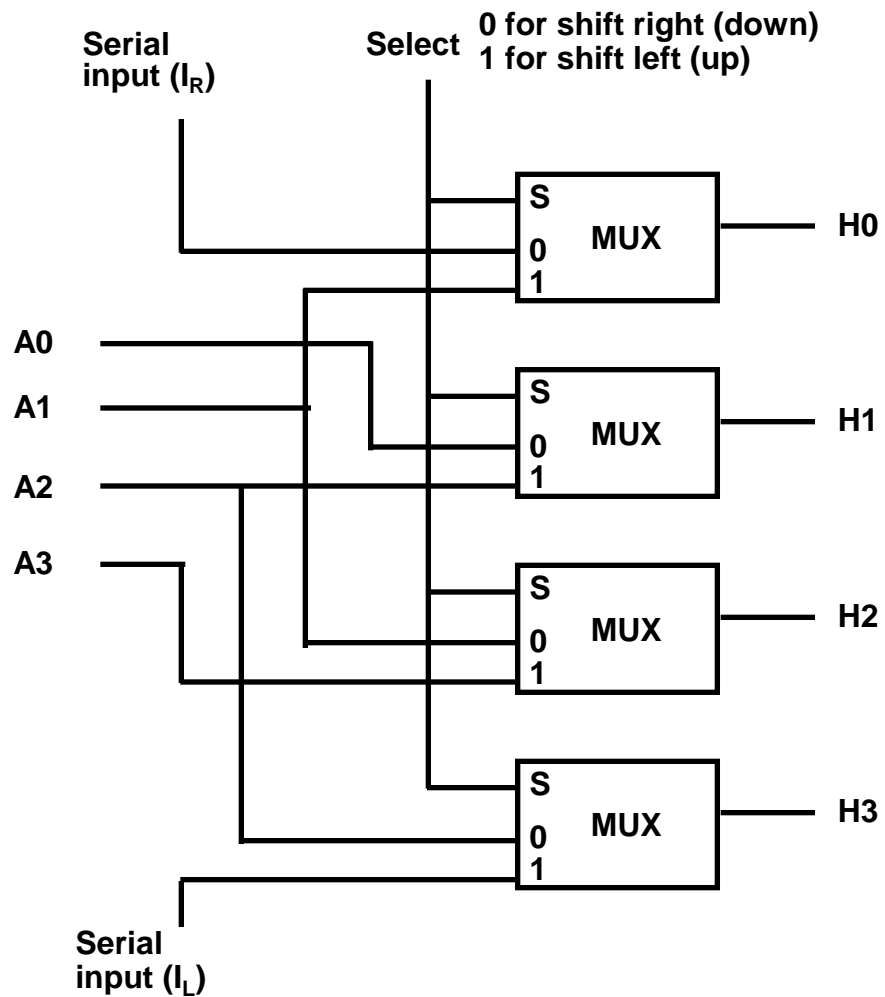
ARITHMETIC SHIFT

- An left arithmetic shift operation must be checked for the **overflow**

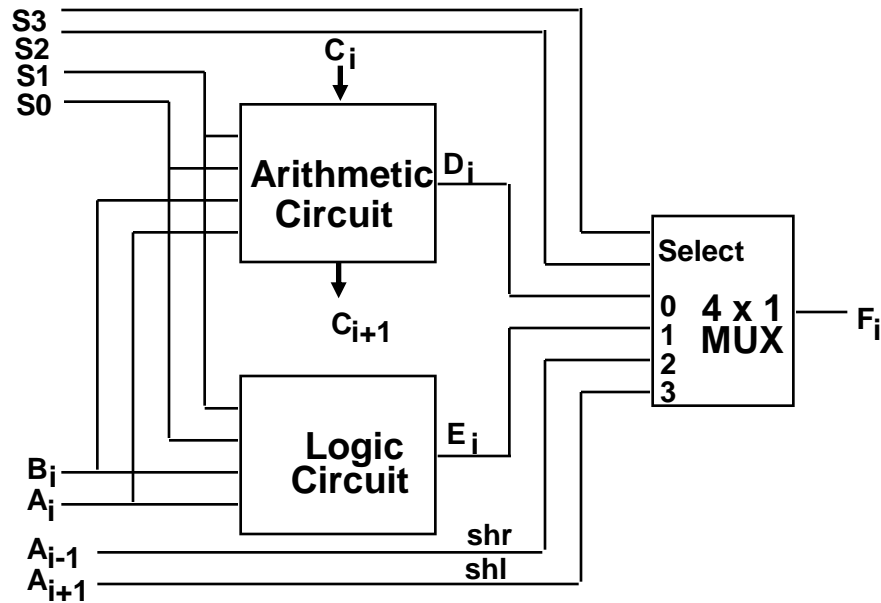


- In a RTL, the following notation is used
 - *ashl* for an arithmetic shift left
 - *ashr* for an arithmetic shift right
 - Examples:
 - » $R2 \leftarrow ashr R2$
 - » $R3 \leftarrow ashl R3$

HARDWARE IMPLEMENTATION OF SHIFT MICROOPERATIONS



ARITHMETIC LOGIC SHIFT UNIT



S3	S2	S1	S0	Cin	Operation	Function
0	0	0	0	0	$F = A$	Transfer A
0	0	0	0	1	$F = A + 1$	Increment A
0	0	0	1	0	$F = A + B$	Addition
0	0	0	1	1	$F = A + B + 1$	Add with carry
0	0	1	0	0	$F = A + B'$	Subtract with borrow
0	0	1	0	1	$F = A + B' + 1$	Subtraction
0	0	1	1	0	$F = A - 1$	Decrement A
0	0	1	1	1	$F = A$	Transfer A
0	1	0	0	X	$F = A \wedge B$	AND
0	1	0	1	X	$F = A \vee B$	OR
0	1	1	0	X	$F = A \oplus B$	XOR
0	1	1	1	X	$F = A'$	Complement A
1	0	X	X	X	$F = shr A$	Shift right A into F
1	1	X	X	X	$F = shl A$	Shift left A into F

References

- **M. Morris Mano, Computer System Architecture, 3rd Edition, Pearson.**
- **William Stallings, Computer Organization and Architecture, 8th Edition, Pearson.**
- **(PPts Compiled by Prof. Mitul. K. Patil)**